

SBLV 40-12i

(12V 40Ah)

VdS: G111038

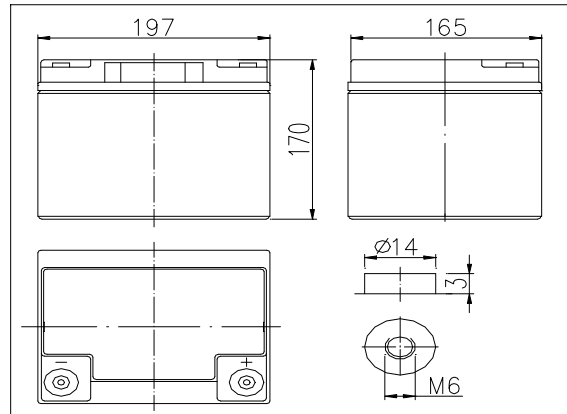
High Performance battery with 10-12 years design life (EUROBAT)

Status: 01-2014

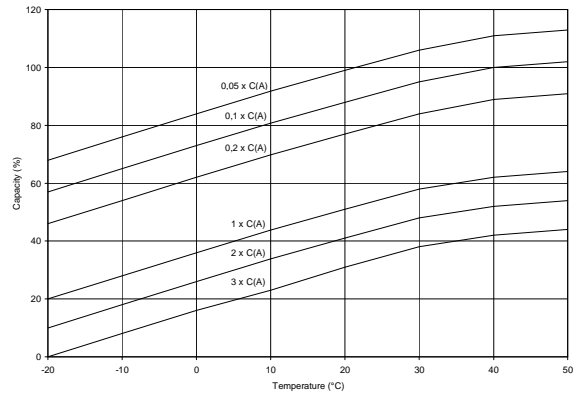
Specifications

Nominal Voltage		12V
Capacity (20hr@25°C@1.75V/C)		40 Ah
Dimensions	Length	197mm (7.76inch)
	Width	165mm (6.50inch)
	Height	170mm (6.69inch)
	Total Height	170mm (6.69inch)
Approx. Weight		14.7kg (32,4lbs)
Maximum charging current		12A
Maximum discharge current		400A (5sec.)
Internal resistance (Fully charged, 25°C)		Approx. 9.5mΩ
Capacity affected by temperature (20hr)	40°C	102%
	25°C	100%
	0°C	85%
	-15°C	65%
Self-discharge (25°C)	3 month	Remaining Capacity: 91%
	6 month	Remaining Capacity: 82%
	12 month	Remaining Capacity: 65%
Nominal operating temperature		25°C (77°F)
Operating temperature range		-15°C ~ 50°C (5°F ~ 122°F)
Float charging voltage (25°C)		13.65 to 13.80V
Cyclic charging voltage (25°C)		14.50 to 14.90V
Absorbent glass mat technology		
ABS (UL94-HB) container		Recognized by UL & CE

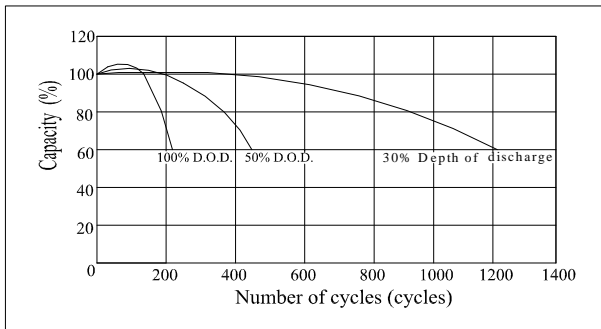
Dimensions



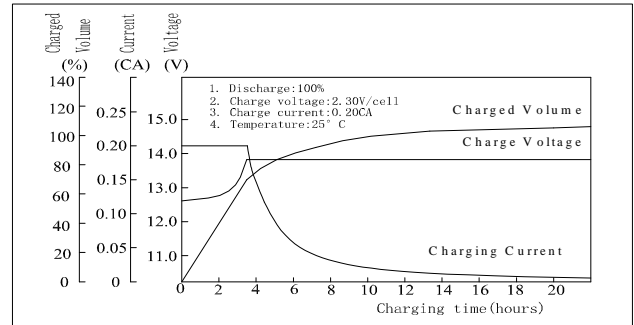
Temperature Effects in Relation to Battery Capacity



Cycle Life (25°C)



Charging Characteristics (25°C)



Constant Current Discharge Characteristics (Ampere @ 25°C)

F.V/TIME	10min	15min	30min	1h	3h	5h	10h	20h
9.60V	93	73,3	42,0	25,9	10,7	7,36	4,18	2,14
10.2V	83,7	66,7	39,0	25,2	10,2	7,11	4,11	2,12
10.8V	71,9	58,7	36,3	23,8	9,72	6,8	3,89	1,98

Constant Power Discharge Characteristics (Watt per cell @ 25°C)

F.V/TIME	10min	15min	30min	45min	1h	2h	3h	5h
9.60V	177	141	92,9	70	55,6	31,2	23,0	15,0
10.2V	155	124	80,3	60,5	50,3	28,3	20,9	13,9
10.8V	140	116	75,0	58,0	48,6	27,3	20,2	13,6

All mentioned values are average values.